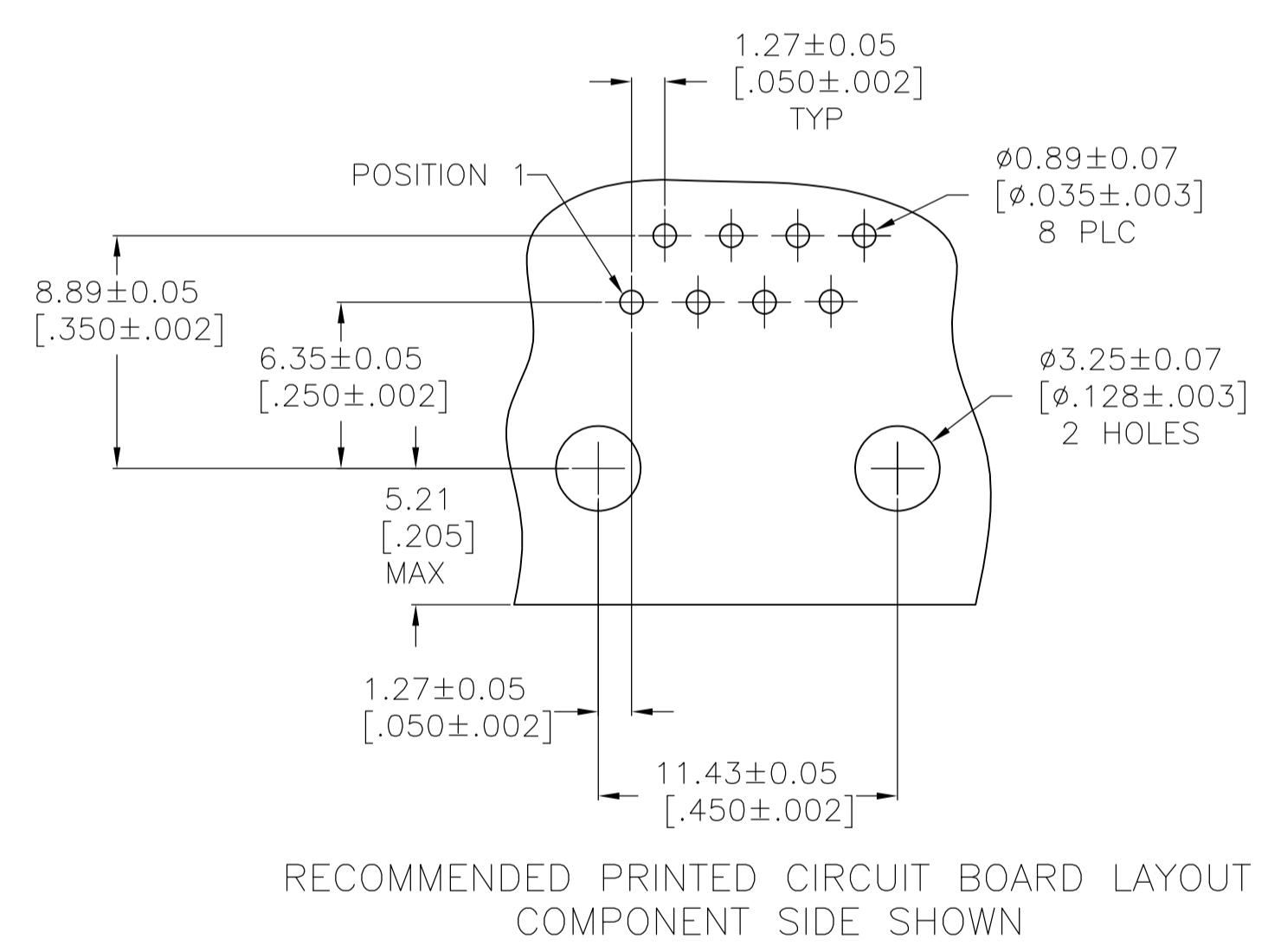
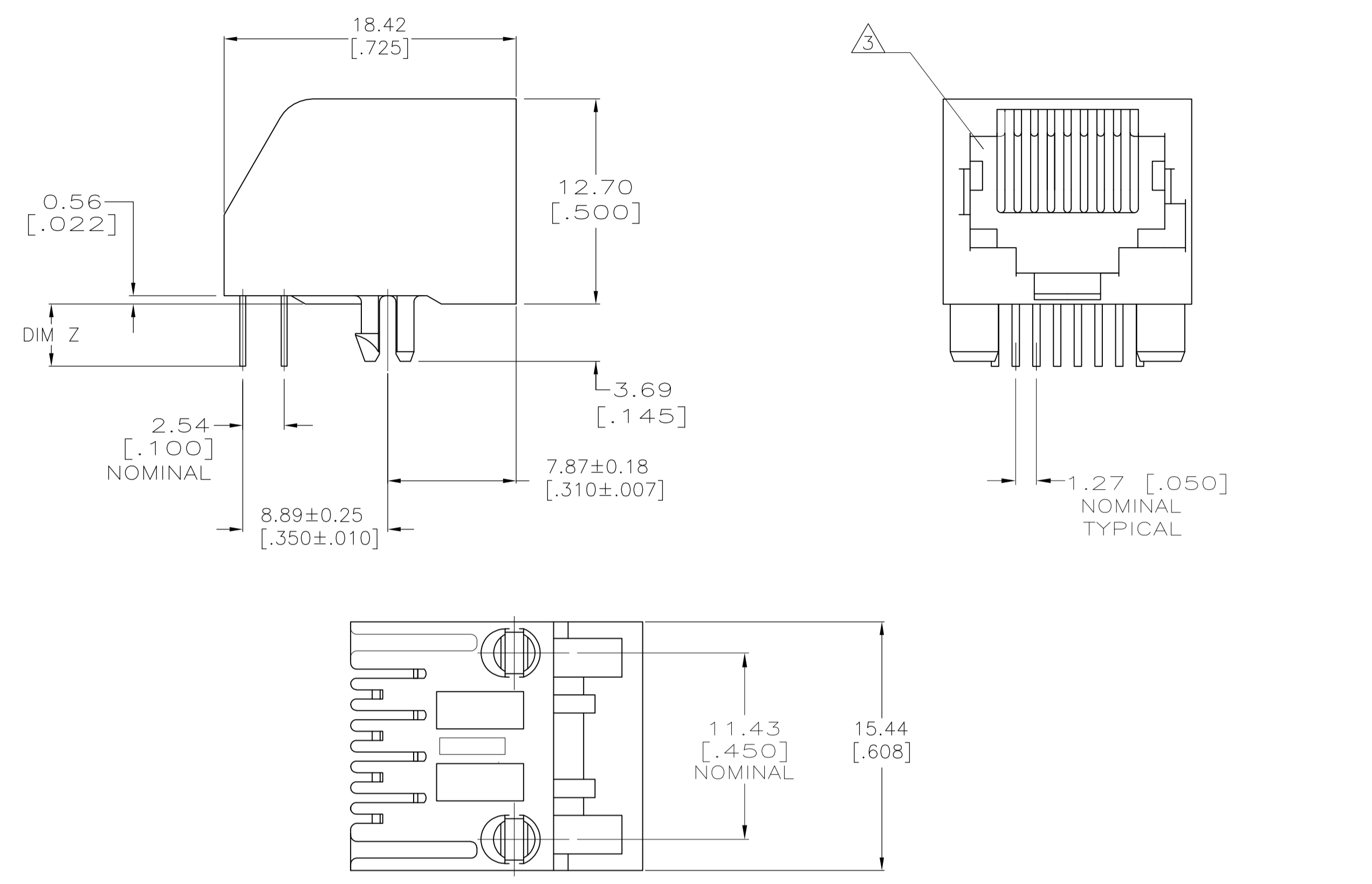


LOC		DIST		REVISIONS			
P	LTR	DESCRIPTION	DATE	DWN	APVD		
B1		REVISED PER ECO-11-005033	24MAR11	RK	HMR		



- DIMENSIONS ARE MAXIMUM UNLESS OTHERWISE SPECIFIED.
 - MATERIAL: HOUSING – PBT POLYESTER, COLOR: BLACK.
TERMINAL – PHOS-BRONZE PLATED WITH 1.27 μ m [0.000050] MINIMUM THICK HARD GOLD IN LOCALIZED GOLD PLATE AREA AND 3.81 μ m [0.000150] MINIMUM THICK MATTE TIN IN SOLDER AREA OVER 1.27 μ m [0.000050] MINIMUM THICK NICKEL UNDERPLATE.
- 3 CAVITY CONFORMS TO FCC RULES AND REGULATIONS PART 68, SUBPART F.
- 4 BULK PACKAGED IN A TRAY.
- 5 PACKAGED 36 ASSEMBLIES PER TUBE WITH BOTH ENDS CRIMPED. SEE DETAIL A.

3	8	2.80±0.25 [0.110±0.010]	5555167-4
4	8	3.81±0.51 [0.15±0.02]	5555167-1
PACKAGED	TERMINALS	DIMENSION Z	PART NUMBER

THIS DRAWING IS A CONTROLLED DOCUMENT.		DIN 31AUG2007 G. ATTADIA/L.A. MAYER		STE TE Connectivity	
DIMENSIONS: mm [INCHES]		TOLERANCES UNLESS OTHERWISE SPECIFIED:		NAME	
0 PLC ± -		1 PLC ± -		P. RECCE	
1 PLC ± -		2 PLC ± 0.13[0.005]		S. FLICKINGER	
2 PLC ± -		3 PLC ± -		PRODUCT SPEC	
3 PLC ± -		4 PLC ± -		108-1163	
4 PLC ± -		ANGLES ± -		APPLICATION SPEC	
SEE NOTE 2		SEE NOTE 2		114-2048	
MATERIAL		FINISH		WEIGHT	
SEE NOTE 2		SEE NOTE 2		-	
CUSTOMER DRAWING		SCALE 4:1		SHEET 1 OF 1	
A1 00779		C=5555167		REV B1	